

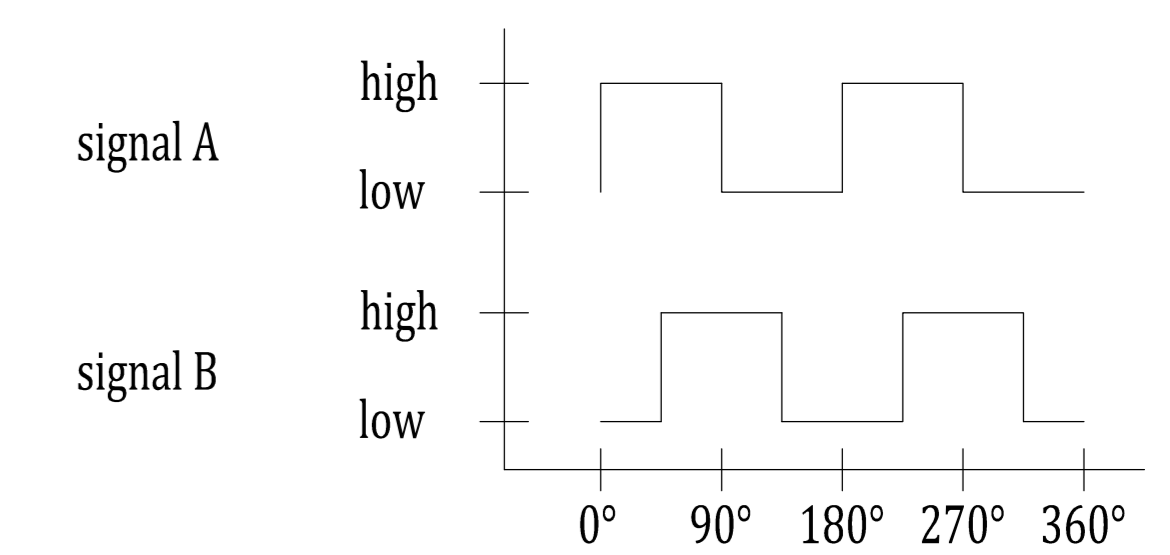
Slewing Drive Performance Parameters (Elevation)		
Rated Output Speed	0.484rpm	
Output Torque	335N.m	247 lbf.ft
Tilting Moment	1200 N.m	888 lbf.ft
Holding Torque	2200N.m	1623 lbf.ft
Static Axial Rating	32 kN	7200 lbf
Static Radial Rating	18 kN	4050 lbf
Dynamic Axial Rating	10 kN	2250 lbf
Dynamic Radial Rating	9 kN	2025 lbf
Gear Ratio	62:1	
Precision	≤0.2°	

24VDC Planetary Reducer Motor Performance Data (24/300/18)	
Rated Voltage	24VDC
Noises	≤65dB
IP Class	IP 65
Rated Current	≤10 A

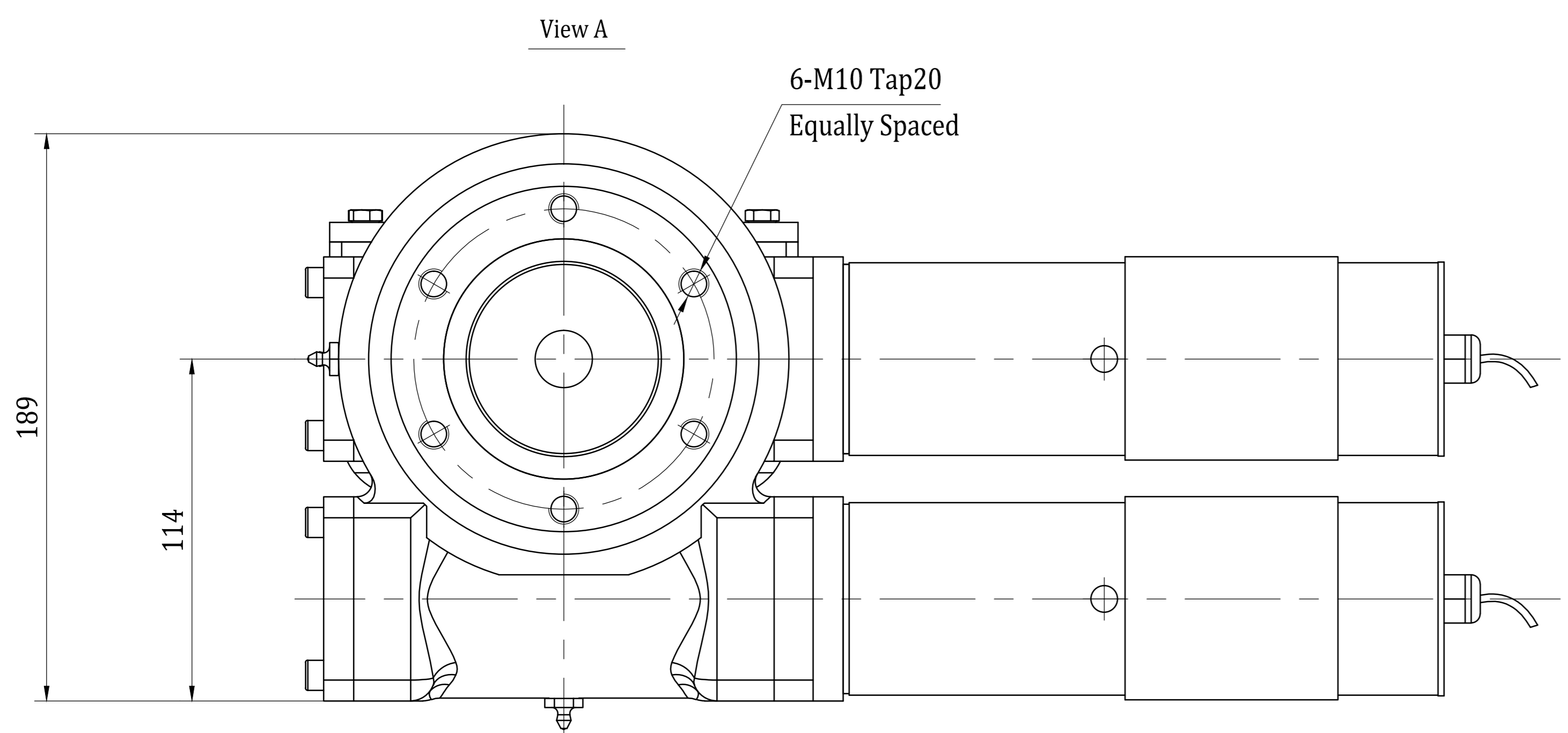
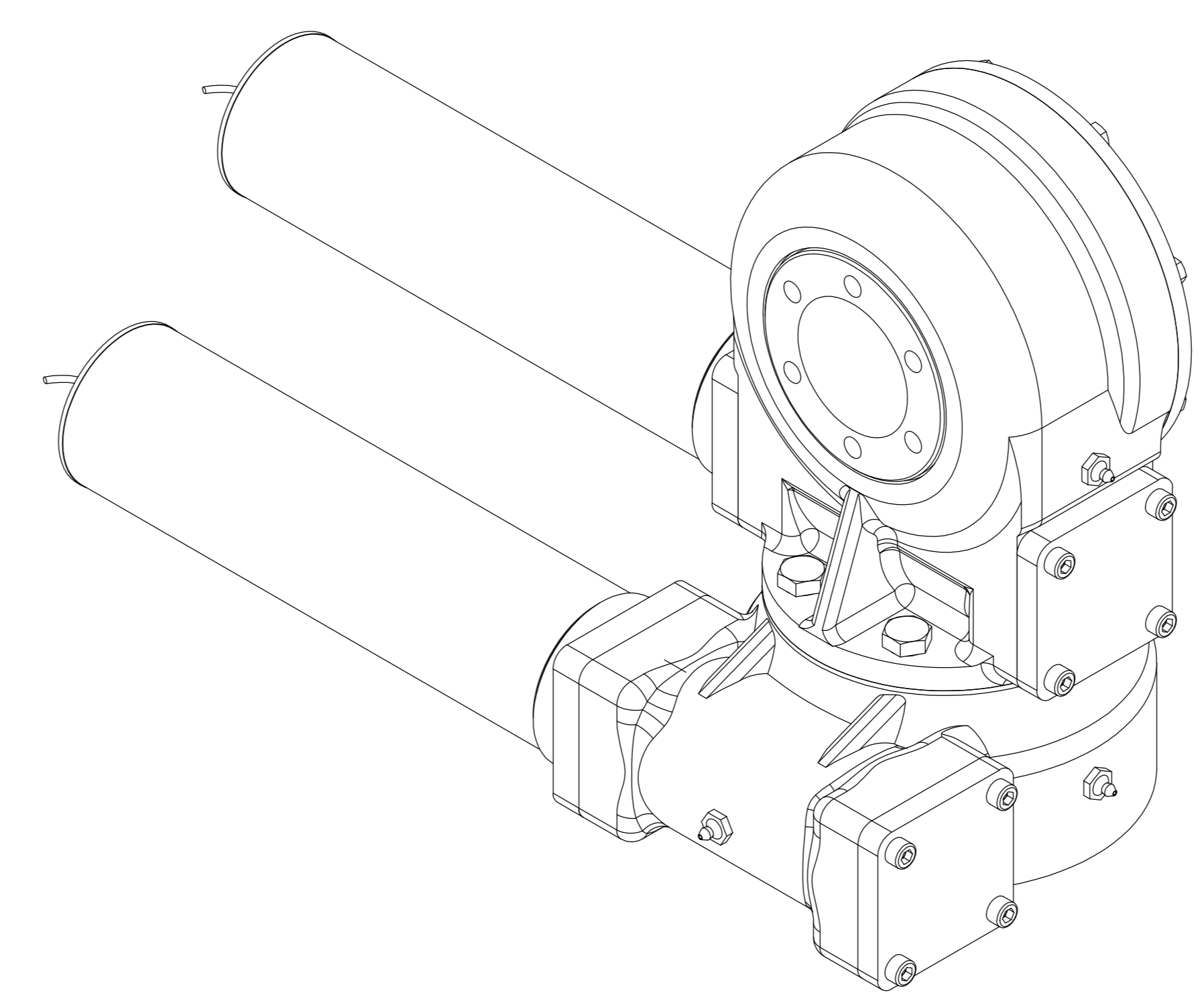
Slewing Drive Performance Parameters (Horizontal)		
Rated Output Speed	0.484rpm	
Output Torque	335N.m	247 lbf.ft
Tilting Moment	1200 N.m	888 lbf.ft
Holding Torque	2200N.m	1623 lbf.ft
Static Axial Rating	32 kN	7200 lbf
Static Radial Rating	18 kN	4050 lbf
Dynamic Axial Rating	10 kN	2250 lbf
Dynamic Radial Rating	9 kN	2025 lbf
Gear Ratio	62:1	
Precision	≤0.2°	

24VDC Planetary Reducer Motor Performance Data (24/300/18)	
Rated Voltage	24VDC
Noises	≤65dB
IP Class	IP 65
Rated Current	≤10 A

MAGNETIC PULSE GENERATOR DATA		
Output type	-	voltage output
pull-up resistor	-	yes
Output signal	-	2 square wave signals
Phase quadrature	-	90°
Impulses per revolution	ppr	2,channels A and B
Operating voltage	VDC	DC5-24
Operating current	mA	max. 12
Deviation of pulse width	-	max. 15°
Deviation of phase shift	-	max. 15°
Output voltage(low level)	VDC	max. 0.4 (20mA)
SIGNAL RISE TIME	ns	85
SIGNAL DECAY TIME	ns	60
Operation temperature	°C	-40 - +85



Wire Define:		
Pin 1 (black)	motor -	
Pin 2 (red)	motor +	
Pin 3 (black thin)	hall -	
Pin 4 (red thin)	hall +	
Pin 5 (green)	hall A	
Pin 6 (blue)	hall B	
Pin E (yellow green)	GND	



Cable
1m

Cable
1m

REV	DATE	REVISER	REVISER
DESIGNED BY	2019/8/1	Li Ming	
CHECKED BY	2019/8/1	Rui Wang	
APPROVED BY	2019/8/1	Shane Zhang	

www.coresundrive.com
Coresun Drive Equipment Changzhou Co., Ltd.

WEIGHT	SCALE	<h2>Slewing Drive</h2>	SVH3-62B-RC-24H30018	REV
30 kg	1 : 3			A
SIZE A3	SHEET 1 / 1			

ALL PROPRIETARY RIGHTS IN THE SUBJECT MATTER HERE OF ARE RESERVED, AND NO PERMISSION IS GRANTED OR TO DISCLOSE REPRODUCE THIS PRINT IN WHOLE OR IN PART, ANY OF THE INFORMATION TO OTHERS.